



Dimension: 240 × 69 × 43mm

IP67 CE RoHS

## SPECIFICATION

### Features:

- Constant voltage design
- 180–264VAC input range
- Small volume, low weight, high efficiency
- Protections : short circuit/over load/over voltage/over temp
- Cooling by free air convection
- Fully encapsulated with IP67 level
- 100% full load burn-in test
- 2 Years warranty

Model		TLPS-12-150	TLPS-24-150	TLPS-36-150
Output	DC voltage	12V	24V	36V
	Voltage tolerance	± 3%	± 2%	± 2%
	Rated current	12.5A	6.3A	4.2A
	Current range	0 ~ 12.5A	0 ~ 6.3A	0 ~ 4.2A
	Rated power	150W	151W	151W
	Ripple&noise	120mVp-p	150mVp-p	180mVp-p
	Setup, rise, hold up time	1000ms,30ms,24ms/230VAC		
Input	Voltage range	180 ~ 264VAC 47 ~ 63Hz, 255 ~ 373VDC		
	AC current	1.8A/230VAC		
	Efficiency	82%	84%	85%
	Inrush current	Cold start50A/230VAC		
	leakage current	< 2mA/240VAC		
Protection	Overload	Rated output power115% ~ 135%Start overload protection Protection type: hiccup mode, auto-recovery after fault condition is removed		
	Over voltage	15.8 ~ 18V	30.6 ~ 33.6V	44 ~ 48.6V
		Protection type: hiccup mode, auto-recovery after fault condition is removed		
	Over temperature	Case temp ≥ 95°C, Start over temp protection Protection mode: cutoff output, auto-recovery after temperature become normal		
Environment	Working temp, humidity	-20°C ~ +60°C;20% ~ 90%RH(Please refer to "derating curve" )		
	Storage temp, humidity	-40°C ~ +85°C;10% ~ 95%RH Non-condensing		
	Withstand vibration	10 ~ 500Hz, 5G 10min./1Cycle, Period for 60min, Each axes		
Safety	Withstand voltage	I/P-O/P: 1.5KVAC I/P-FG: 1.5KVAC O/P-FG: 0.5KVAC		
	Isolation resistance	I/P-O/P: I/P-FG,O/P-FG: 100M Ohms/500VDC		
Fit standard	Safety standard	Compliance to EN 61347-1:2015;EN 61347-2-13:2014+A1:2017; IP67		
	EMC Standard	Compliance to EN IEC 55015:2019;EN IEC 61000-3-2:2019 EN 61000-3-3:2013+A1:2019;EN 61547:2009		
Others	MTBF	430K hrs min. MIL-HDBK-217F(25°C)		
	Weigh/Dimensiont	240*69*43mm ( L*W*H )		
	Packing	1.25kg/20pcs/25kg/0.033m³/1.16CUFT		

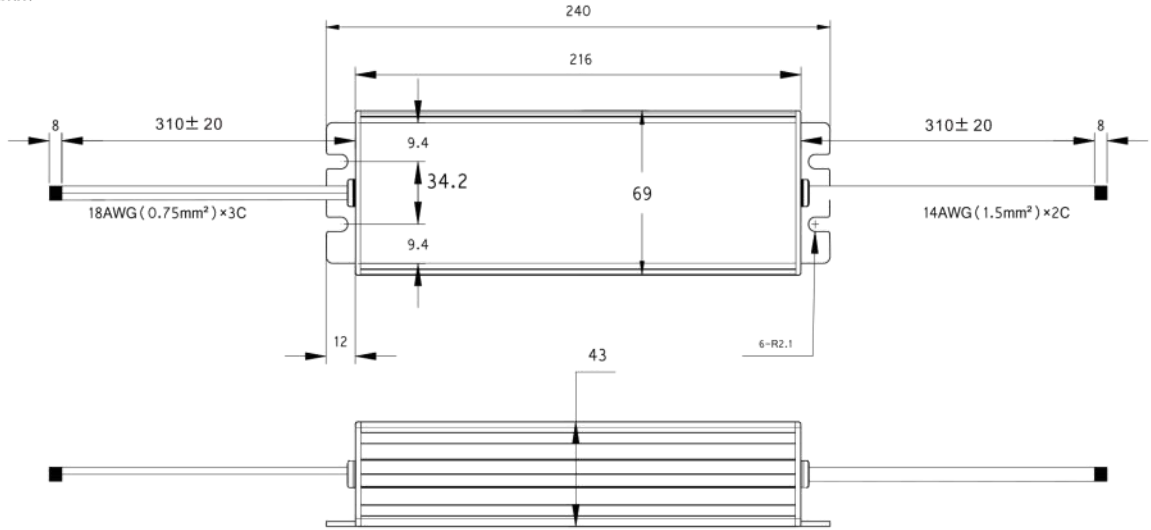
Note: 1. All parameters NOT specially mentioned are measured at 230VAC input, rated load and 25°C of ambient temperature.

2. Ripple & noise are measured at 20MHz of bandwidth by using a 12" twisted pair-wire terminated with a 0.1uf & 47uf parallel capacitor.

3. Tolerance : includes set up tolerance, line regulation and load regulation.

### Mechanical specification

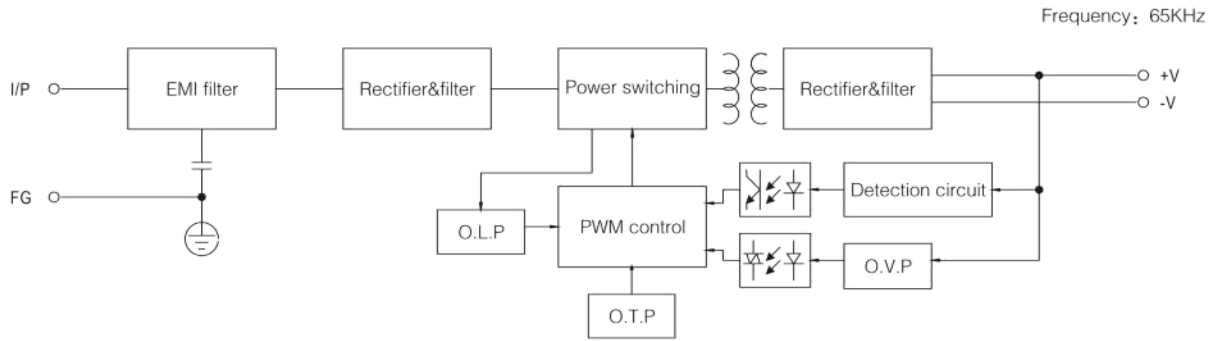
Unit:mm



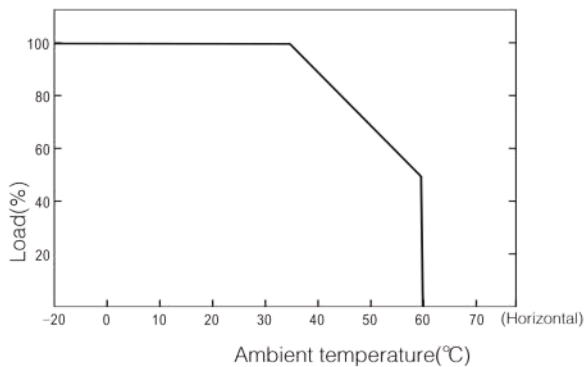
### lead-out wire assignment

Input(Black three-core)		Output (White two-core)	
Brown	AC/L	Red	DC OUTPUT +V
Blue	AC/N	Black	DC OUTPUT -V
Yellow-green	FG $\perp$		

### Block diagram



### Derating curve



### Static characteristic

